



SERIES G2 PRODUCT DATA SHEET

MODEL	PART NUMBER	MOTOR TYPE
SG2 09-A-E12V-10DL-WR00-MC	104320	Electric 12V
SG2 09-C-E12V-10DL-WR00-MC	104325	Electric 12V
SERIAL NUMBER	INSPECTED BY	DATE

ENGINEERING DATA		
Rated Pulling Force:	9000 lbf	4082 kgf
Drum Barrel Diameter:	4 in	101.6 mm
Drum Flange Diameter:	8.24 in	209.3 mm
Drum Width:	9.95 in	252.7 mm
Evaluated Rope Diameter:	3/8 in	9.5 mm
Maximum Wire Rope Diameter:	1/2 in	12.7 mm
Minimum Wire Rope Breaking Strength:	15100 lbf	6849 kgf
Maximum Layers of Wire Rope:	4 with 3/8in rope	
Gear Train:	Planetary	
Gear Reduction:	212:1	
Mounting Bolt Size:	M12 X 1.75 Class 8.8	
Mounting Bolt Torque:	46-51 lbf-ft	63-69 Nm
Duty Cycle (per SAE J706 section 6.2):	12.2 ft	3.7 m
Approximate Shipping Weight:	96.9 lbf	44.0 kg
Brake Type:	Automatic Disk Brake per SAE J706 Sec. 4.2	
Sealing:	IP68/IP69K	
UV Rating:	1200 kJ/m ² per ASTM G154	
Corrosion Resistance:	408 hrs per ASTM B117	
Operating Temperature:	-40°F to 158°F (-40°C to 70°C)	
Decibels:	85.5 dB	
EMC Emissions:	CISPR 25:2008	
EMC Immunity:	ISO 7637-2:2004	



DESCRIPTION

SeriesG2 Electric winches provide new levels of performance, durability, and efficiency to help get jobs done quickly and reliably time after time.

ACCESSORIES

SeriesG2 winches represents an all-new level of modular design, customization, and versatility, no matter the application. Please visit www.warn.com/industrial for all available accessories and options.

STANDARDS COMPLIANCE

2006/42/EC - EN ISO 12100:2010, EN 60529:1992+A2:2013, EN 14492-1:2006*
 2014/30/EU - EN 50498:2010, ISO 7637-2:2011, CISPR 25
 2011/65/EU - EN 63000:2018

Also complies with:
 SAE J706

*Conforms with exceptions

PERFORMANCE BY LAYER

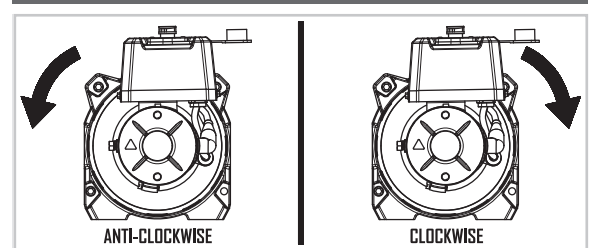
DRUM LAYER	LINE LOAD*			LINE SPEED	
	lbf	kgf	kN	ft/min	m/min
1	9000	4082	40.0	25.9	7.9
2	7683	3485	34.2	28.1	8.6
3	6702	3040	29.8	30.3	9.2
4	5943	2696	26.4	32.6	9.9

*Never exceed the Rated Pulling Force. Installation of a Rated Capacity Limiter is recommended

FIRST LAYER PERFORMANCE

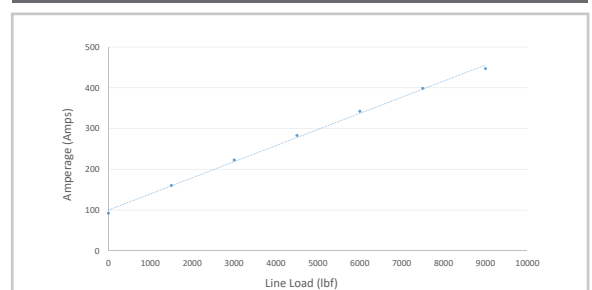
LINE LOAD		CURRENT DRAW	LINE SPEED (AT LOAD)		DUTY CYCLE
lbf	kgf	AMPS	ft/min	m/min	min/10min
0	0	92.3	25.9	7.9	5:00
1500	680	160.3	15.4	4.7	3:15
3000	1361	222.7	11.0	3.4	2:00
4500	2041	283.1	9.1	2.8	1:20
6000	2722	342.5	7.5	2.3	0:50
7500	3402	398.8	6.0	1.8	0:30
9000	4082	447.0	5.6	1.7	0:20

DRUM ROTATION



As viewed from motor end

FIRST LAYER PERFORMANCE





SERIES G2 PRODUCT DATA SHEET

MODEL	PART NUMBER	MOTOR TYPE
-------	-------------	------------

SG2 09-A-E12V-10DL-WR00-MC	104320	Electric 12V
SG2 09-C-E12V-10DL-WR00-MC	104325	Electric 12V

DRUM CAPACITY BY LAYER

DRUM LAYER	DRUM LENGTH							
	6.5"		8"		10"		12.5"	
	ft	m	ft	m	ft	m	ft	m
1	16	4.9	20	6.1	25	7.6	35	10.7
2	35	10.7	43	13.1	54	16.5	75	22.9
3	56	17.1	70	21.3	88	26.8	122	37.2
4	80	24.4	100	30.5	125	38.1	175	53.3

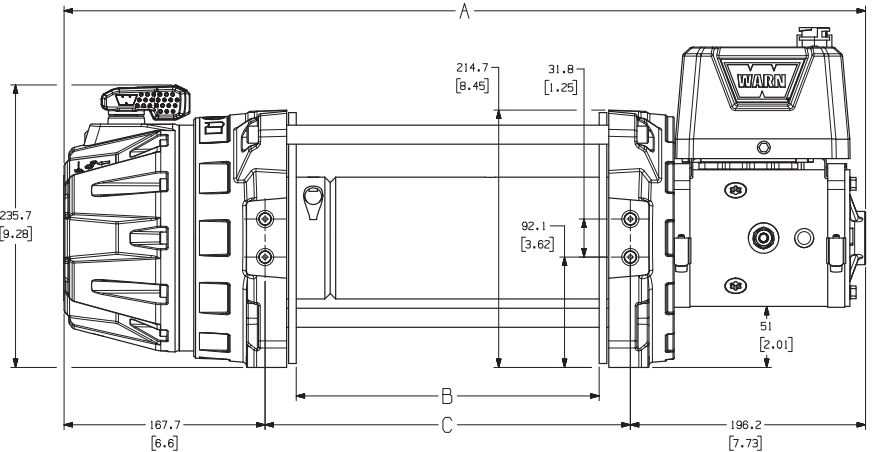
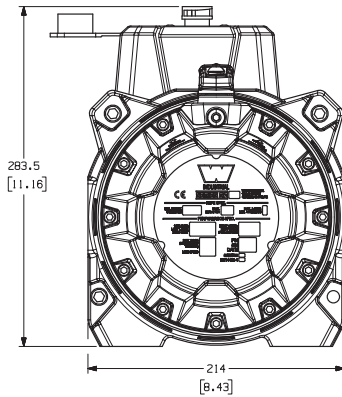
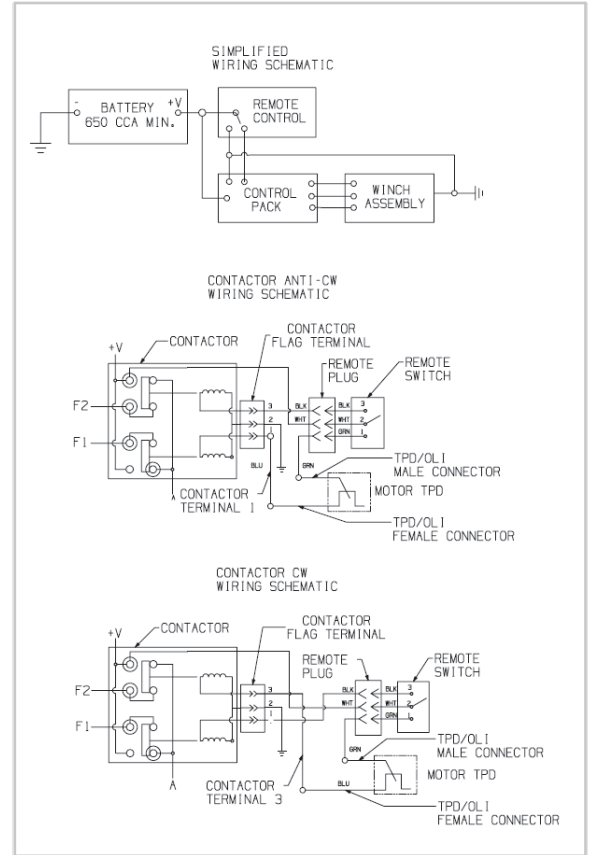
TOTAL DRUM CAPACITY

ROPE DIAMETER	DRUM LENGTH							
	6.5"		8"		10"		12.5"	
	ft	m	ft	m	ft	m	ft	m
3/8	80	24.4	100	30.5	125	38.1	175	53.3
7/16	75	22.9	100	30.5	100	30.5	150	45.7
1/2	60	18.3	60	18.3	75	22.9	100	30.5

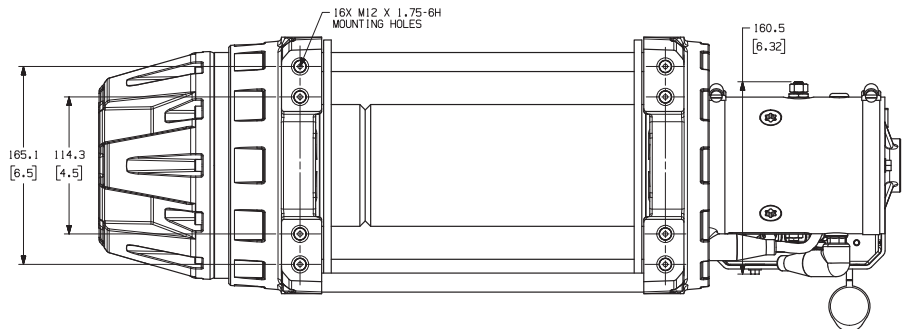
ELECTRICAL SYSTEM SPECIFICATIONS

Battery Voltage:	12V
Minimum Battery Rating:	650 CCA
Maximum Rated Input Speed:	4794 RPM

WIRING SCHEMATIC



DRUM SIZE	UNITS	A	B WIRE	B SYNTH.	C
6.5" DRUM	mm	579.7	163.8	151.1	215.8
	in	22.82	6.45	5.95	8.50
8" DRUM	mm	617.8	201.9	189.2	253.9
	in	24.32	7.95	7.45	10.00
10" DRUM	mm	668.6	252.7	240.0	304.7
	in	26.32	9.95	9.45	12.00
12.5" DRUM	mm	732.1	316.2	303.5	368.2
	in	28.82	12.45	11.95	14.50



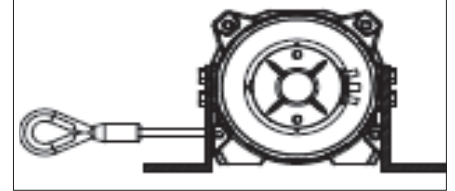
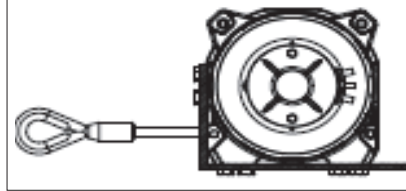
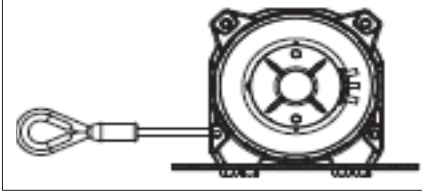


MOUNTING CONFIGURATIONS

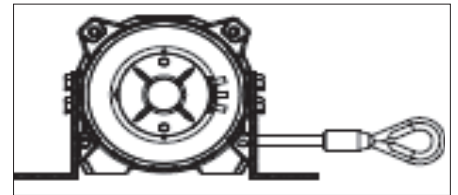
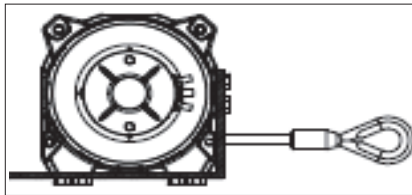
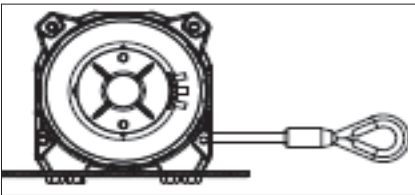
MODEL	PART NUMBER	MOTOR TYPE
SG2 09-A-E12V-10DL-WR00-MC	104320	Electric 12V
SG2 09-C-E12V-10DL-WR00-MC	104325	Electric 12V

ALL MOUNTING MUST BE OBSERVED FROM MOTOR END

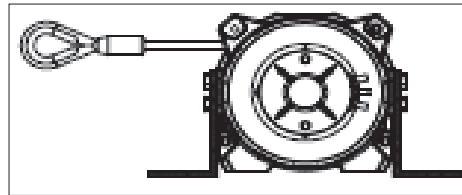
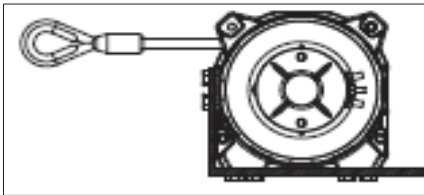
FEET DOWN, ROPE UNDER DRUM, COMING IN FROM THE LEFT (DUL) - ANTI-CLOCKWISE ROTATION



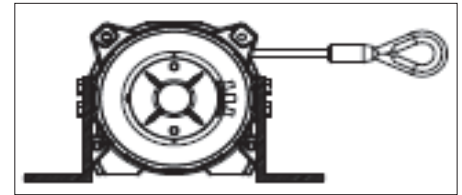
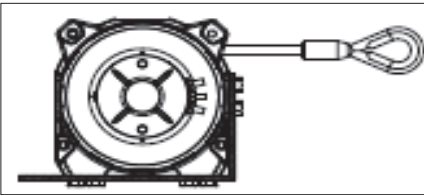
FEET DOWN, ROPE UNDER DRUM, COMING IN FROM THE RIGHT (DUR) - CLOCKWISE ROTATION



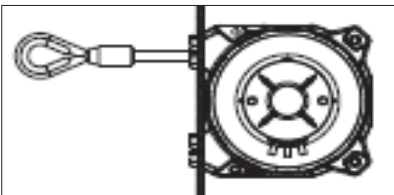
FEET DOWN, ROPE OVER DRUM, COMING IN FROM THE LEFT (DOL) - CLOCKWISE ROTATION



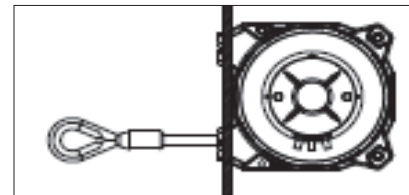
FEET DOWN, ROPE OVER DRUM, COMING IN FROM THE RIGHT (DDR) - ANTI-CLOCKWISE ROTATION



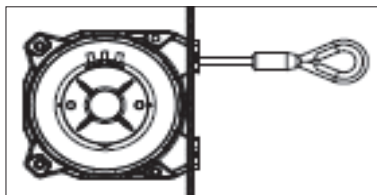
FEET FORWARD, ROPE OVER DRUM, COMING IN FROM THE LEFT (FOL) - CLOCKWISE



FEET FORWARD, ROPE UNDER DRUM, COMING IN FROM THE LEFT (FUL) - ANTI-CLOCKWISE



FEET FORWARD, ROPE OVER DRUM, COMING IN FROM THE RIGHT (FOR) - ANTI-CLOCKWISE



FEET FORWARD, ROPE UNDER DRUM, COMING IN FROM THE RIGHT (FUR) - ANTI-CLOCKWISE

